

6

5

4

3

2

1

D

D

C

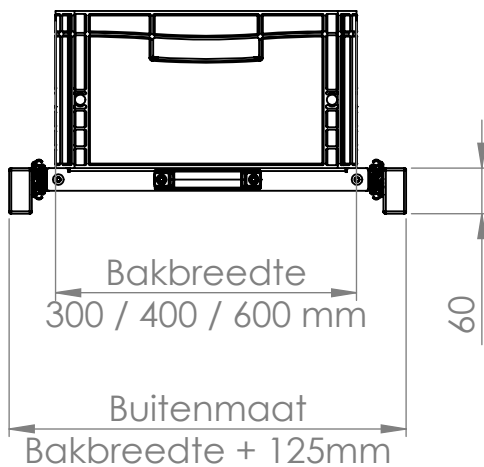
C

B

B

A

A



UNLESS OTHERWISE SPECIFIED: DIMENSIONS ARE IN MILLIMETERS SURFACE FINISH: TOLERANCES: LINEAR: ANGULAR:				FINISH:		DEBURR AND BREAK SHARP EDGES		DO NOT SCALE DRAWING		REVISION			
								<p>TITLE:</p> <h1>EURONORM VLOER MODULE</h1>					
DRAWN		HT TECH V.O.F.		SIGNATURE		DATE						10-11-24	
CHK'D													
APPV'D													
MFG													
Q.A						MATERIAL:		DWG NO.		A4			
								SCALE:1:20		SHEET 1 OF 1			
						WEIGHT:							

6

5

4

3

2

1