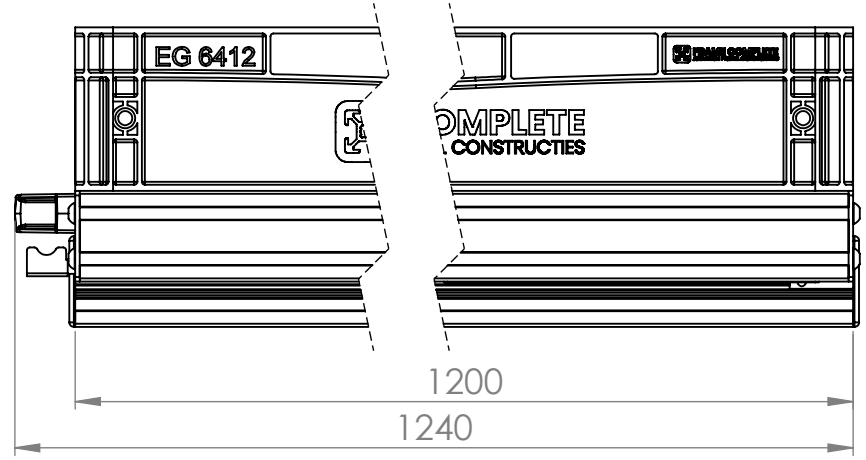
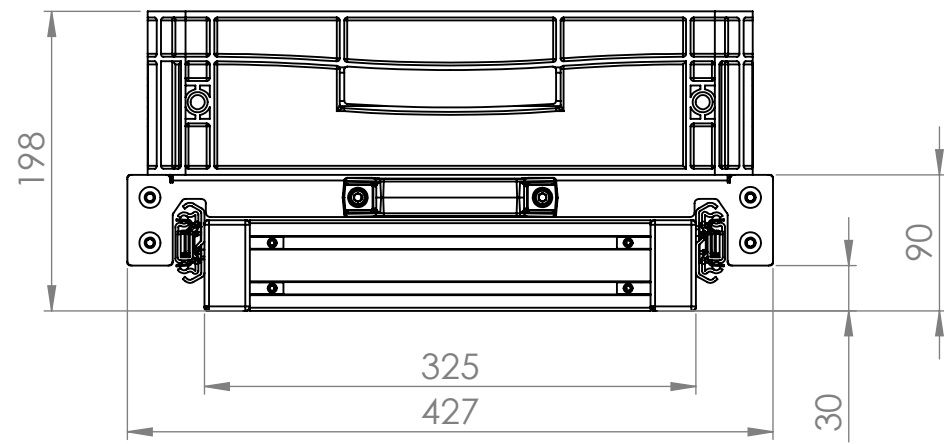


6 5 4 3 2 1

D

D



C

C

B

B

UNLESS OTHERWISE SPECIFIED: DIMENSIONS ARE IN MILLIMETERS SURFACE FINISH: TOLERANCES: LINEAR: ANGULAR:			FINISH:		DEBURR AND BREAK SHARP EDGES		DO NOT SCALE DRAWING		REVISION		
							TITLE: EURONORMBAK VLOER MODULE VBI				
DRAWN HT TECH V.O.F.			SIGNATURE		DATE 9-8-24		DWG NO. ENBM-1200-400-K1-L1-VBI				
CHK'D							A4				
APPV'D											
MFG											
Q.A					MATERIAL:		SCALE:1:20				
					WEIGHT:		SHEET 1 OF 1				

A

A

6 5 4 3 2 1