

6

5

4

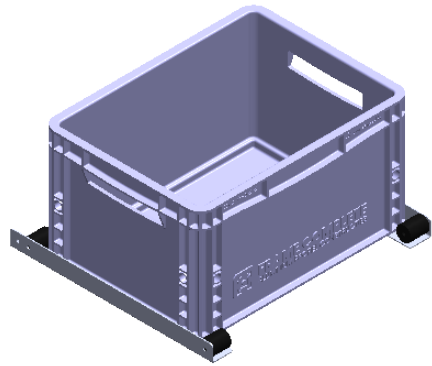
3

2

1

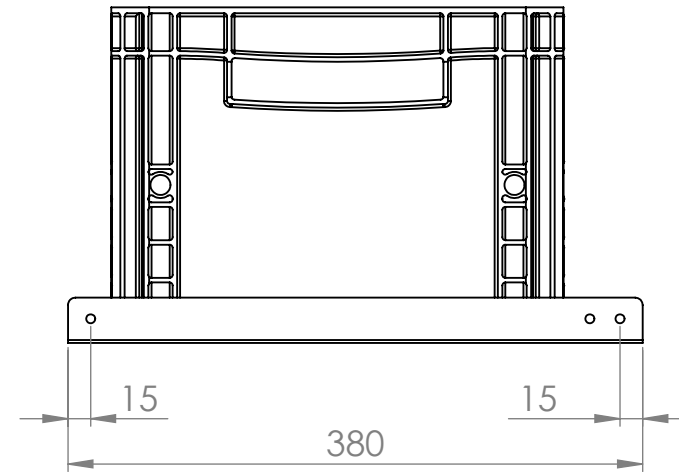
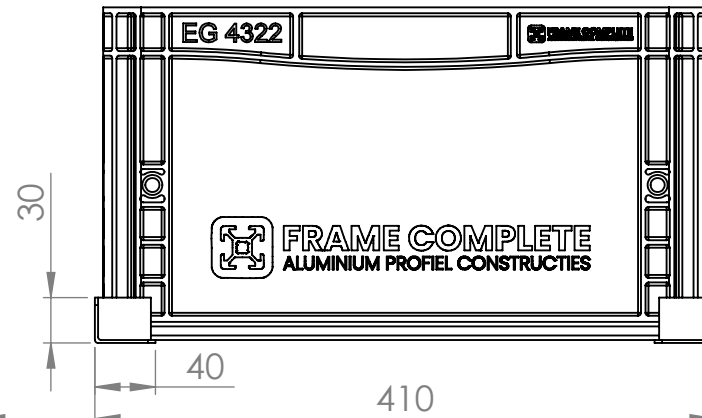
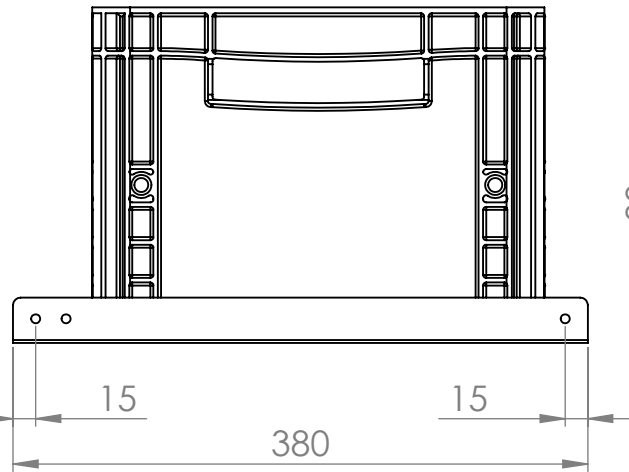
D

D



C

C



B

B

UNLESS OTHERWISE SPECIFIED: DIMENSIONS ARE IN MILLIMETERS SURFACE FINISH: TOLERANCES: LINEAR: ANGULAR:			FINISH:		DEBURR AND BREAK SHARP EDGES		DO NOT SCALE DRAWING		REVISION		
DRAWN HT TECH V.O.F.			SIGNATURE		DATE 27-5-24		TITLE: <b>Universele Euronormbak Drager</b>				
CHK'D											
APPVD											
MFG											
Q.A											
					MATERIAL:		DWG NO. <b>970465</b>		A4		
					WEIGHT:		SCALE:1:10		SHEET 1 OF 1		

A

A

6

5

4

3

2

1