

4

3

2

1

F

F

E

E

D

D

C

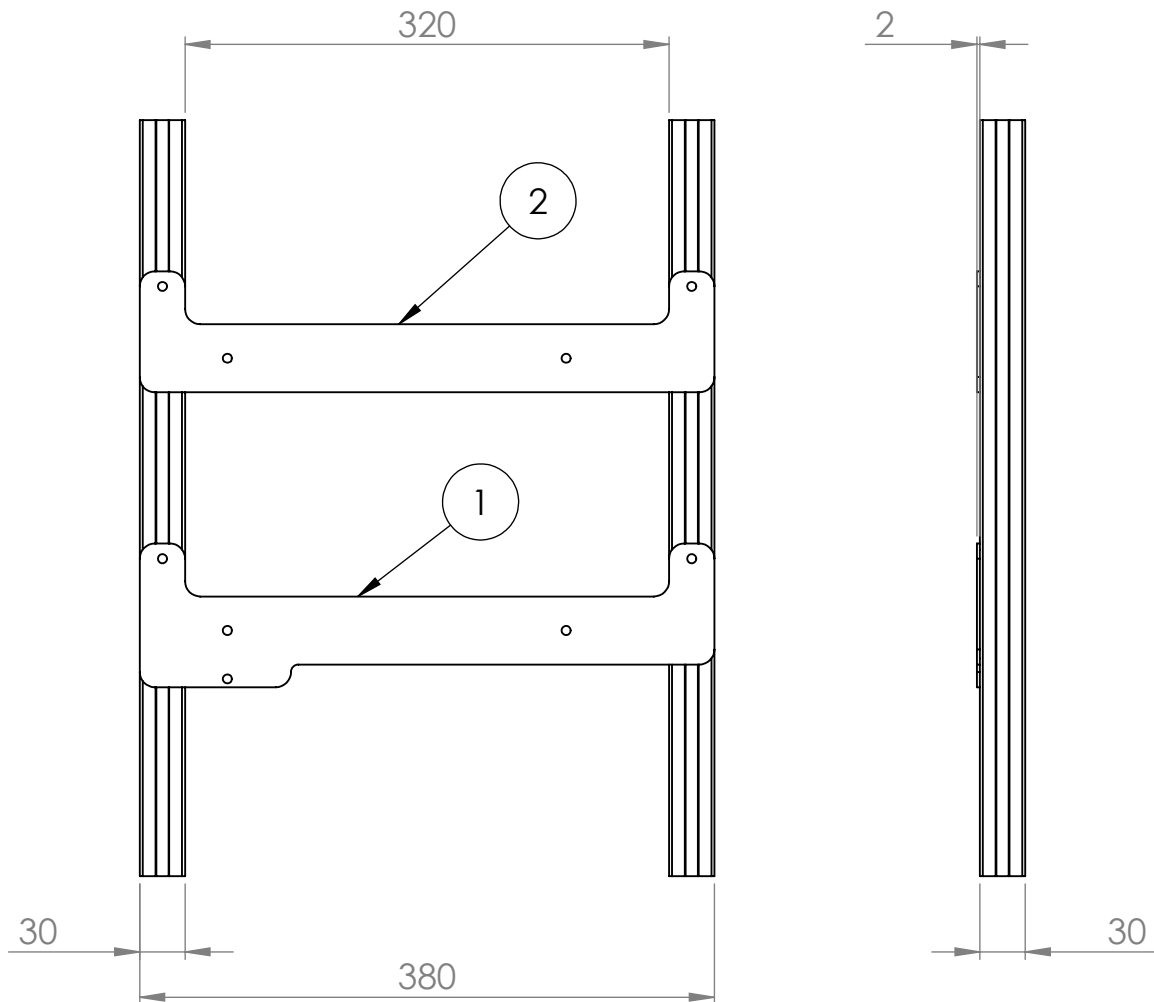
C

B

B

A

A



- 1 | MONTAGEPLAAT LINKS
- 2 | MONTAGEPLAAT RECHTS

UNLESS OTHERWISE SPECIFIED: DIMENSIONS ARE IN MILLIMETERS SURFACE FINISH: TOLERANCES: LINEAR: ANGULAR:				FINISH:		DEBURR AND BREAK SHARP EDGES		DO NOT SCALE DRAWING		REVISION	
DRAWN				SIGNATURE		DATE		TITLE: <b>SYS-AZ MONTAGESET MAATVOERING</b>			
HT TECH V.O.F.						22-10-23					
CHK'D											
APPV'D											
MFG											
Q.A				MATERIAL:				DWG NO.		A4	
								970430			
				WEIGHT:				SCALE:1:5		SHEET 1 OF 1	

4

3

2

1