

6 5 4 3 2 1

D

D

C

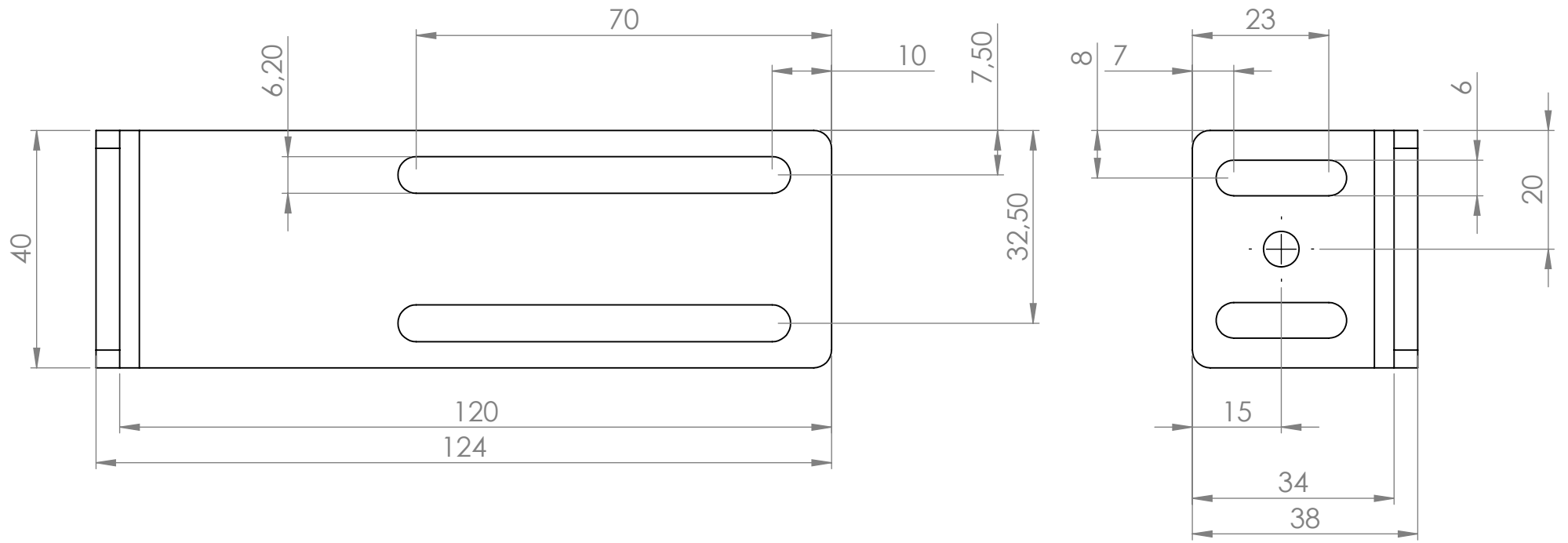
C

B

B

A

A



UNLESS OTHERWISE SPECIFIED: DIMENSIONS ARE IN MILLIMETERS SURFACE FINISH: TOLERANCES: LINEAR: ANGULAR:			FINISH:		DEBURR AND BREAK SHARP EDGES		DO NOT SCALE DRAWING		REVISION						
							TITLE: Montagebeugel Universeel Lang								
DRAWN			NAME		SIGNATURE							DATE			
CHK'D												9-23			
APPV'D															
MFG															
Q.A									MATERIAL:						
									DWG NO.						
									970271						
									A4						
									SCALE:1:1						
									SHEET 1 OF 1						

6 5 4 3 2 1